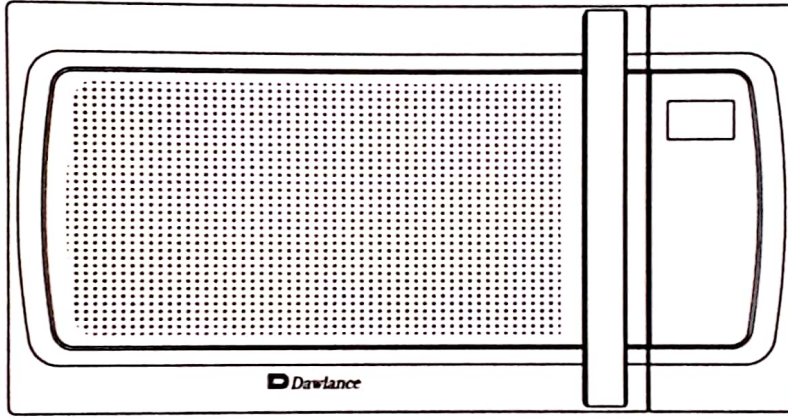


## MICROWAVE OVEN

This owner's guide book is for the following 900 watts  
Microwave Oven Model:

# DW-132S



- 
1. Read these instructions carefully before installing and operating the oven.  
Keep them for further reference.
  2. Record in the space below the SERIAL NO. found on the nameplate on your  
oven and retain this information for future reference.

SERIAL NO.:

ڈاؤلینس ریلائبل ہے!

# Contents

Precautions to Avoid Possible Exposure to Excessive Microwave Energy.....	2
Important Safety Instructions .....	2
Specifications .....	4
Installation Guide .....	5
Grounding Instructions .....	5
Radio Interference.....	6
Before Calling For Service .....	6
Cooking Techniques .....	6
Cooking Utensils Guide.....	7
Product Diagram .....	8
Control Panel .....	9
Operation Instructions .....	10
Setting Clock .....	10
Microwave Cooking.....	10
Add 30 Sec .....	11
Express Cook.....	11
Timer Function .....	11
Multistage Cooking.....	11
Weight Defrost .....	11
Time Defrost.....	12
Setting Child Lock .....	12
Auto Cook .....	12
Popcorn.....	12
Potato.....	12
Pizza .....	13
Beverage.....	13
Frozen Dinner.....	13
Reheat.....	14
Cleaning and Care .....	14

# Precautions to Avoid Possible Exposure to Excessive Microwave Energy

1. Do not attempt to operate this oven with the door open since open-door operation can result in harmful exposure to microwave energy. It is important not to defeat or tamper with the safety interlocks.
2. Do not place any object between the oven front face and the door or allow soil or cleaner residue to accumulate on sealing surfaces.
3. Do not operate the oven if it is damaged. It is very important that the oven door closes properly and that there is no damage to the
  - a) Door (including any dents),
  - b) Hinges and latches (broken or loosened),
  - c) Door seals and sealing surfaces.
4. The oven should not be adjusted or repaired by anyone except qualified service personnel.

## Important Safety Instructions

When using electrical appliance basic safety precautions should be followed, including the following:

**WARNING!**--To reduce the risk of burns, electric shock, fire, injury to persons or exposure to excessive microwave energy:

1. Read all instructions before using the appliance.
2. Use this appliance only for its intended use as described in the manual. Do not use corrosive chemicals or vapors in this appliance. This type of oven is specifically designed to heat, cook or dry food. It is not designed for industrial or laboratory use.
3. Do not operate the oven when empty.
4. Do not operate this appliance if it has a damaged cord or plug, if it is not working properly or if it has been damaged or dropped. If the supply cord is damaged, it must be replaced by the manufacturer or its service agent or a similarly qualified person in order to avoid a hazard.
5. **WARNING!**--Only allow children to use the oven without supervision when adequate instructions have been given so that the child is able to use the oven in a safe way and understands the hazards of improper use.
6. To reduce the risk of fire in the oven cavity:
  - When heating food in plastic or paper container, check the oven frequently for the possibility of ignition.
  - Remove wire twist-ties from paper or plastic bags before placing bag in oven.
  - If smoke is observed, switch off or unplug the appliance and keep the door closed in order to stifle any flames.
  - Do not use the cavity for storage purposes. Do not leave paper products, cooking utensils or food in the cavity when not in use.

7. **WARNING!**—Liquid or other food must not be heated in sealed containers since they are liable to explode.
8. Microwave heating of beverage can result in delayed eruptive boiling, therefore care has to be taken when handle the container.
9. Do not fry food in the oven. Hot oil can damage oven parts and utensils and even result in skin burns.
10. Eggs in their shell and whole hard-boiled eggs should not be heated in microwave ovens since they may explode even after microwave heating has ended.
11. Pierce foods with heavy skins such as potatoes, whole squashes, apples and chestnuts before cooking.
12. The contents of feeding bottles and baby jars should be stirred or shaken and the temperature should be checked before serving in order to avoid burns.
13. Cooking utensils may become hot because of heat transferred from the heated food. Potholders may be needed to handle the utensil.
14. Utensils should be checked to ensure that they are suitable for use in microwave oven.
15. **WARNING!**—It is hazardous for anyone other than a trained person to carry out any service or repair operation which involves the removal of any cover which gives protection against exposure to microwave energy.
16. This product is a Group 2 Class B ISM equipment. The definition of Group 2 which contains all ISM (Industrial, Scientific and Medical) equipment in which radio-frequency energy is intentionally generated and/or used in the form of electromagnetic radiation for the treatment of material and spark erosion equipment. For Class B equipment is equipment suitable for use in domestic establishments and in establishments directly connected to a low voltage power supply network which supplies buildings used for domestic purpose.
17. This appliance is not intended for use by persons (including children) with reduced physical, sensory or mental capabilities or lack of experience and knowledge, unless they have been given supervision or instruction concerning use of the appliance by a person responsible for their safety.
18. Children should be supervised to ensure that they do not play with the appliance.
19. The microwave oven is only used in freestanding.
20. **WARNING!**—Do not install oven over a range cook top or other heat-producing appliance. If installed could be damaged and the warranty would be avoid.
21. The accessible surface may be hot during operation.
22. The microwave oven shall not be placed in a cabinet.
23. The door or the outer surface may get hot when the appliance is operating.
24. The temperature of accessible surfaces may be high when the appliance is operating.
25. The appliance shall be placed against a wall.
26. Appliance is not to be used by children or persons with reduced physical, sensory or mental capabilities or lack of experience and knowledge, unless they have been given supervision or instruction.
27. Children being supervised not to play with appliance.
28. **WARNING!**—If the door or door seals are damaged, the oven must not be operated until it has been repaired by a competent person.

29. The instructions shall state that appliances are not intended to be operated by means of an external timer or separate remote-control system.
30. The microwave oven is for household use only and not for commercial use.
31. Never remove the distance holder in the back or on the sides, as it ensures a minimum distance from the wall for air circulation.
32. Please secure the turn table before you move the appliance to avoid damages.
33. **CAUTION!**—It is dangerous to repair or maintain the appliance by no other than a specialist because under these circumstances the cover have to be removed which assures protection against microwave radiation. This applies to changing the power cord or the lighting as well. Send the appliance in these cases to our service centre.
34. The microwave oven is intended for defrosting, cooking and steaming of food only.
35. Use gloves if you remove any heated food.
36. **CAUTION!** -- Steam will escape, when opening lids or wrapping foil.
37. This appliance can be used by children aged from 8 years and above and persons with reduced physical, sensory or mental capabilities or lack of experience and knowledge if they have been given supervision or instruction concerning use of the appliance in a safe way and understand the hazards involved. Children shall not play with the appliance. Cleaning and user maintenance shall not be made by children unless they are aged from 8 years and above and supervised.
38. If smoke is emitted, switch off or unplug the appliance and keep the door closed in order to stifle.

## Specifications

Power Consumption	230V/50Hz, 1400W (microwave)
Output	900W
Operation Frequency	2450MHz
Outside Dimensions	300mm(H)×539mm(W)×428mm(D)
Oven Cavity Dimensions	240mm(H)×354mm(W)×358mm(D)
Cooking Uniformity	Turntable system
Net Weight	Approx. 16kg

# Installation Guide

1. Make sure that all the packing materials are removed from the inside of the door.
2. **WARNING!**—Check the oven for any damage, such as misaligned or bent door, damaged door seals and sealing surface, broken or loose door hinges and latches and dents inside the cavity or on the door. If there is any damage, do not operate the oven and contact qualified service personnel.
3. This microwave oven must be placed on a flat, stable surface to hold its weight and the heaviest food likely to be cooked in the oven.
4. Do not place the oven where heat, moisture or high humidity are generated or near combustible materials.
5. For correct operation, the oven must have sufficient airflow. Allow 20cm of space above the oven, 10cm at back and 5cm at both sides. Do not cover or block any openings on the appliance. Do not remove feet.
6. Do not operate the oven without glass tray, roller support, and shaft in their proper positions.
7. Make sure that the power supply cord is undamaged and does not run under the oven or over any hot or sharp surface.
8. The socket must be readily accessible so that it can be easily unplugged in an emergency.
9. Do not use the oven outdoors.

## Grounding Instructions

This appliance must be grounded. This oven is equipped with a cord having a grounding wire with a grounding plug. It must be plugged into a wall receptacle that is properly installed and grounded. In the event of an electrical short circuit, grounding reduces risk of electric shock by providing an escape wire for the electric current. It is recommended that a separate circuit serving only the oven be provided. Using a high voltage is dangerous and may result in a fire or other accident causing oven damage.

**WARNING!**—Improper use of the grounding plug can result in a risk of electric shock.

Note:

1. If you have any questions about the grounding or electrical instructions, consult a qualified electrician or service person.
2. Neither the manufacturer nor the dealer can accept any liability for damage to the oven or personal injury resulting from failure to observe the electrical connection procedures.

The wires in this cable main are colored in accordance with the following code:

Green and Yellow = EARTH

Blue = NEUTRAL

Brown = LIVE

## Radio Interference

Operation of the microwave oven can cause interference to your radio, TV or similar equipment. When there is interference, it may be reduced or eliminated by taking the following measures:

1. Clean door and sealing surface of the oven.
2. Reorient the receiving antenna of radio or television.
3. Relocate the microwave oven with respect to the receiver.
4. Move the microwave oven away from the receiver.
5. Plug the microwave oven into a different outlet so that microwave oven and receiver are on different branch circuits.

## Before Calling For Service

Before asking for service, please check each item below:

- Check to ensure the oven is plugged in securely. If not, remove the plug from the outlet, wait 10 seconds, and plug it in again securely.
- Check for a blown circuit fuse or a tripped main circuit breaker. If these seem to be operating properly, test the outlet with another appliance.
- Check to ensure the control panel is programmed correctly and the timer is set.
- Check to ensure the door is securely closed, engaging the door lock system. If the door is not properly closed, the microwave energy will not flow inside.

**IF NONE OF THE ABOVE RECTIFIES THE SITUATION, THEN CONTACT A QUALIFIED TECHNICIAN. DO NOT TRY TO ADJUST OR REPAIR THE OVEN YOURSELF.**

## Cooking Techniques

1. Arrange food carefully. Place thickest areas towards outside of dish.
2. Watch cooking time. Cook for the shortest amount of time indicated and add more as needed. Food severely overcooked can smoke or ignite.
3. Cover foods while cooking. Covers prevent spattering and help foods to cook evenly.
4. Turn foods over once during microwave cooking to speed cooking of such foods as chicken and hamburgers. Large items like roasts must be turned over at least once.
5. Rearrange foods such as meatballs halfway through cooking both from top to bottom and from the center of the dish to the outside.

# Cooking Utensils Guide

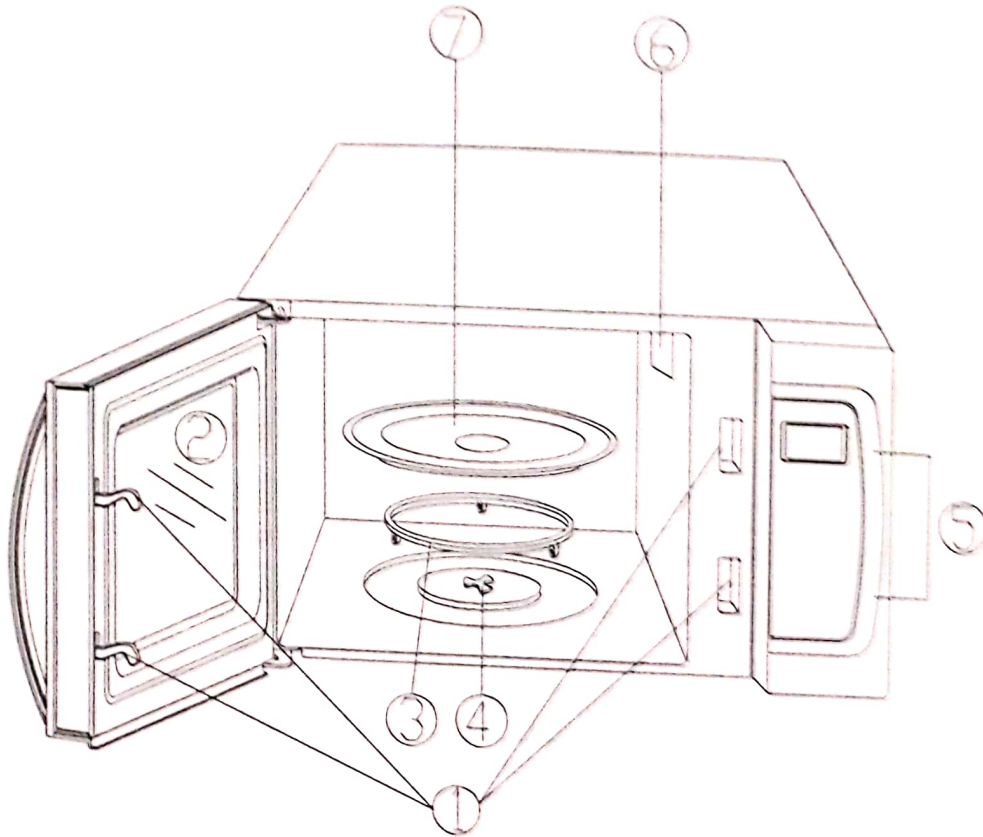
1. The ideal material for a microwave utensil is transparent to microwave, it allows energy to pass through the container and heat the food.
2. Microwave cannot penetrate metal, so metal utensils or dishes with metallic trim should not be used.
3. Do not use recycled paper products when microwave cooking, as they may contain small metal fragments which may cause sparks and/or fires.
4. Round/oval dishes rather than square/oblong ones are recommend, as food in corners tends to overcook.
5. Narrow strips of aluminum foil may be used to prevent overcooking of exposed areas. But be careful don't use too much and keep a distance of 1 inch (2.54cm) between foil and cavity.

The list below is a general guide to help you select the correct utensils.

Cookware	Microwave
Heat-Resistant Glass	Yes
Non Heat-Resistant Glass	No
Heat-Resistant Ceramics	Yes
Microwave-Safe Plastic Dish	Yes
Kitchen Paper	Yes
Metal Tray	No
Metal Rack	No
Aluminum Foil & Foil Containers	No

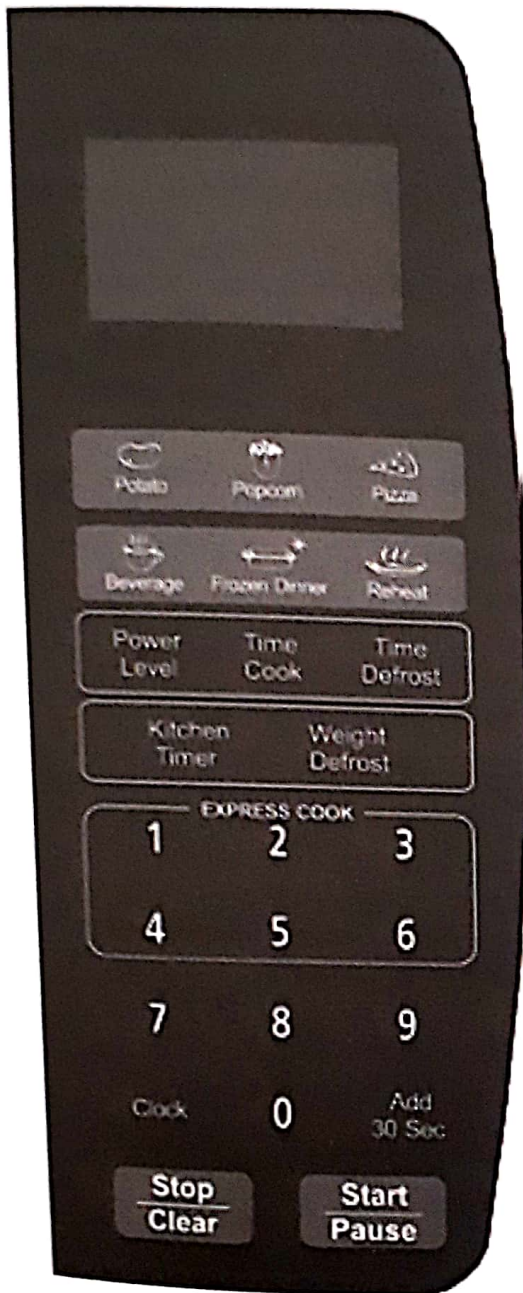


# Product Diagram



1. Door Safety Lock System
2. Oven Window
3. Roller Ring
4. Shaft
5. Control Panel
6. Wave Guide (Please do not remove the mica plate covering the wave guide)
7. Glass Tray

# Control Panel



- **DISPLAY**

Cooking time, power, indicators and clock time are displayed.

- **AUTO COOK MENUS**

There are 6 kinds of auto cook menus. Use to set auto cook program.

- **POWER LEVEL**

Use to select microwave power level.

- **TIME COOK**

Use to set microwave cooking.

- **TIME DEFROST**

Use to set time defrost program.

- **KITCHEN TIMER**

Use to set timer program.

- **WEIGHT DEFROST**

Use to set weight defrost program.

- **NUMBER PADS (0-9)**

Use to adjust power level, enter time or food weight. But use the number pads from 1 to 6 to set express cook.

- **CLOCK**

Use to set the current time.

- **ADD 30 SEC**

Use to set quick start program or add cooking time during cooking program.

- **STOP/CLEAR**

Use to cancel all settings or set child lock.

- **START/PAUSE**

Use to start or stop a cooking program.

# Operation Instructions

- When the oven first plugged in, the display will show "CLOCK" and "1:01".
- During cooking, if press START/PAUSE pad once, the program will be paused, then press START/PAUSE pad to resume, but if press STOP/CLEAR pad, the program will be cancelled.
- After ending cooking, the screen will display End with sound every two minutes until user press STOP/CLEAR pad or open the door.
- When opening the door, if press START/PAUSE pad, the display will show door to remind user close the door to start cooking.
- During the setting mode, the system will return to waiting mode if there is not any operation within 10 seconds.

## Setting Clock

This is a 24 or 12 hour clock, and you can select it by pressing CLOCK pad. During cooking, the current time can be seen by touching CLOCK pad.

1. Touch CLOCK pad once or twice to choose 24 or 12 hour clock.
2. Use the number pads to enter the correct time.
3. Touch CLOCK pad again to confirm.

## Microwave Cooking

During cooking, the current power level can be seen by touching POWER LEVEL pad, and you can adjust the power level by pressing the number pads when the power level is shown on display during cooking. The cooking time can be added by pressing ADD 30SEC pad.

1. Touch TIME COOK pad.
2. Use the number pads to enter cooking time. The longest time is 99 minutes 99 seconds.
3. Touch POWER LEVEL pad repeatedly to select microwave power (from PL10 to PL-1).
4. Touch START/PAUSE pad.

Press POWER LEVEL to choose a cooking power level:

Press POWER LEVEL button	Cooking power	Press POWER LEVEL button	Cooking power
1,0	100%(PL10)	5	50%(PL-5)
9	90%(PL-9)	4	40%(PL-4)
8	80%(PL-8)	3	30%(PL-3)
7	70%(PL-7)	2	20%(PL-2)
6	60%(PL-6)	1	10%(PL-1)

### Add 30 Sec

In standby mode, press ADD 30 SEC pad repeatedly to enter cooking time, the longest time is 99 minutes 59 seconds, and the oven will start automatically at 100% high power level. During cooking (except auto cook and defrost), the cooking time can be added by pressing ADD 30 SEC pad.

### Express Cook

In standby mode, press the number pad (from 1 to 6) to enter cooking time (between 1 minute and 6 minutes), and the oven will start automatically at 100% high power level.

### Timer Function

1. In standby state or during cooking, touch KITCHEN TIMER pad.
2. Use the number pads to enter desired time. The longest time is 99 minutes 99 seconds.
3. Touch KITCHEN TIMER pad to start.

Note: You can check the countdown time by pressing KITCHEN TIMER pad, if press the pad for 3 seconds, the function is cancelled.

### Multistage Cooking

First stage	Microwave cooking
Second stage	Microwave cooking

1. Set the first stage cooking program. Do not touch START/PAUSE pad.
2. Set the second stage cooking program.
3. Touch START/PAUSE pad.

Note: Only microwave cooking can be set in multistage cooking program.

### Weight Defrost

The defrosting time and power level are adjusted automatically once the weight is programmed.

1. Touch WEIGHT DEFROST pad.
2. Use the number pads to enter food weight. Maximum weight is 2700g.
3. Touch START/PAUSE pad.

Note: During defrosting program, the system will pause and sound beeps to remind user to turn food over and then press START/PAUSE pad to resume.

## **Time Defrost**

1. Touch TIME DEFROST pad.
2. Use the number pads to enter defrosting time. The longest time is 99 minutes 99 seconds.
3. Touch START/PAUSE pad.

Note: During defrosting program, the system will pause and sound beeps to remind user to turn food over and then press START/PAUSE pad to resume.

## **Setting Child Lock**

The lock prevents unsupervised operation by children.

- To set the child lock: In standby mode, press STOP/CLEAR pad for 3 seconds, then a beep will sound. In the lock state, the oven can't be operated.
- To cancel the child lock: Press STOP/CLEAR pad for 3 seconds, then a beep will sound and the oven can be operated.

## **Auto Cook**

For food or the following cooking mode, it is not necessary to program the time and the cooking power. It is sufficient to indicate the type of food that you want to cook as well as the weight of this food.

### **POPCORN**

1. Touch POPCORN pad once.  
POPCORN automatically sets the cooking time for a 99g bag of microwave popcorn.
2. Touch START/PAUSE to confirm.

To change the preset POPCORN time:

1. Touch POPCORN twice.
2. Use number pads to enter minutes and seconds.
3. Touch START/PAUSE.

The longest cooking time is 99 minutes and 99 seconds. The new cooking time will remain whenever you use the POPCORN setting until you reset it or next power on.

### **POTATO**

**For potatoes (110g to 170g per entries):**

1. Touch POTATO once.

2. Enter number of potatoes by touching number pads from 1 to 4.
3. Touch START/PAUSE.

**For the large potatoes (230g to 280g per entries):**

1. Touch POTATO twice.
2. Enter number of potatoes by touching number pads from 1 to 4.
3. Touch START/PAUSE.

### **PIZZA**

**Reheating a slice of pizza (150g):**

1. Touch PIZZA once.
2. Touch START/PAUSE.

**Heating a whole pizza (450g):**

1. Touch PIZZA twice.
2. Touch START/PAUSE.

## **BEVERAGE**

### **For coffee cups (140 to 200ml per share):**

1. Touch BEVERAGE once.
2. Enter number of cups by touching number pads from 1 to 4.
3. Touch START/PAUSE.

### **For the larger coffee cups (260 to 310ml per share)**

1. Touch BEVERAGE twice.
2. Enter number of cups by touching number pads from 1 to 4.
3. Touch START/PAUSE.

## **FROZEN DINNER**

### **For small (200 to 250g per share) frozen dinners:**

1. Touch FROZEN DINNER once.

2. For 1 entree or 2 entrees, touch the number pad "1" or "2"

3. Touch START/PAUSE pad

### **Microwaving larger (280 to 340g per share) frozen dinners:**

1. Touch FROZEN DINNER twice

2. For 1 entree or 2 entrees, touch the number pad "1" or "2".

3. Touch START/PAUSE.

## **REHEAT**

### **For a plate of cooled food (350 to 510g):**

1. Touch REHEAT pad.

2. Touch START/PAUSE.

Note: This setting lets you reheat a dinner plate of chilled leftovers with good results.

# Cleaning and Care

1. Turn off the oven and remove the power plug from the wall socket before cleaning.
2. Keep the inside of the oven clean. When food splatters or spilled liquids adhere to oven walls, wipe with a damp cloth. Mild detergent may be used if the oven gets very dirty. Avoid the use of spray and other harsh cleaners as they may stain, streak or dull the door surface.
3. The outside surfaces should be cleaned with a damp cloth. To prevent damage to the operating parts inside the oven, water should not be allowed to seep into the ventilation openings.
4. Wipe the door and window on both sides, the door seals and adjacent parts frequently with a damp cloth to remove any spills or splatters. Do not use abrasive cleaner.
5. Do not allow the control panel to become wet. Clean with a soft, damp cloth. When cleaning the control panel, leave oven door open to prevent oven from accidentally turning on.
6. If steam accumulates inside or around the outside of the oven door, wipe with a soft cloth. This may occur when the microwave oven is operated under high humidity condition and it is normal.
7. It is occasionally necessary to remove the glass tray for cleaning. Wash the tray in warm sudsy water or in a dishwasher.
8. The roller ring and oven floor should be cleaned regularly to avoid excessive noise. Simply wipe the bottom surface of the oven with mild detergent. The roller ring may be washed in mild sudsy water or dishwasher. When removing the roller ring from cavity floor for cleaning, be sure to replace in the proper position.
9. Remove odors from your oven by combining a cup of water with the juice and skin of one lemon in a deep microwaveable bowl, microwave for 5 minutes. Wipe thoroughly and dry with a soft cloth.
10. When it becomes necessary to replace the oven light, please consult a dealer to have it replaced.
11. The oven should be cleaned regularly and any food deposits removed. Failure to maintain the oven in a clean condition could lead to deterioration of the surface that could adversely affect the life of the appliance and possibly result in a hazardous situation.
12. Please do not dispose this appliance into the domestic rubbish bin; it should be disposed to the particular disposal center provided by the municipalities.

 *Dawlance*  
ڈاؤلینس ریلائبل ہے!